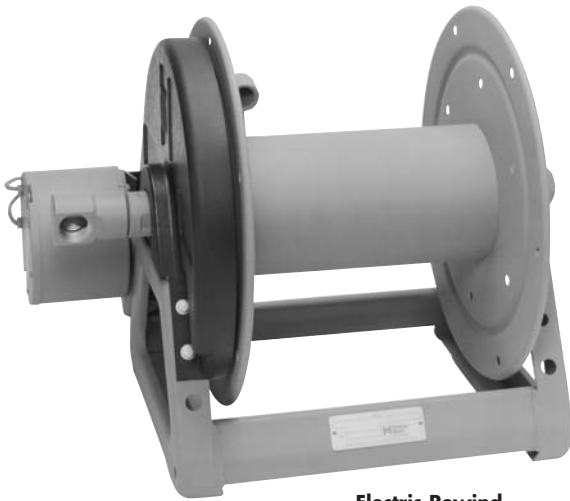


1800

MANUAL OR POWER REWIND REELS

To handle single 5/8" or 3/4" I.D. hose.

- Lightweight compact reels designed for long lengths of hose in manual and power rewind.
- Direct crank rewind is permanently attached.
- Chain and sprocket drive powered by electric, hydraulic, or compressed air motor.
- Direct crank rewind, adjustable spring tension brake, spring actuated pin lock.
- Standard inlet 90° ball bearing swivel joint 1" female NPT threads.
- Standard outlet 3/4" female NPT threads.
- Optional Rollers: Specify roller position when ordering.
- Pressures to 1000 psi (69 bar).
- Temperatures from -40° F to +250° F (-40° C to +121° C).
- Consult factory for other pressures & temps.



Electric Rewind
Standard Configuration
Shown

For:

- Air Compressors
- Washdown

Model Number	Hose Capacity of Reel feet m.			Approx. Weight Crank Rewind ³ lb. kg.		Reel Dimensions**** inches mm.						
	I.D. (in) I.D. (mm)	5/8" 16	3/4" 19	NET	SHIP	A	B	E CRANK	E POWER	F CRANK	F POWER	X
For Power Rewind See Note 5	O.D. (in) O.D. (mm)	1" 25	1-9/32" 40									
1816-17-18		75 23	50 15	28 13	50* 23	13 330	8 203	16.5 419	19 483	22.88 581	18.5 470	11.5 292
1822-17-18		150 46	100 30	30 14	50* 23	19 483	14 356	16.5 419	19 483	28.88 733	24.5 622	17.5 445
1826-17-18		225 69	150 46	32 15	50* 23	23 584	18 457	16.5 419	19 483	32.88 835	28.5 724	21.5 546
1830-17-18		300 91	180 55	33 15	50* 23	27 686	22 559	16.5 419	19 483	36.88 937	32.5 826	25.5 648
1836-17-18		375 114	230 70	36 16	50* 23	33 838	28 711	16.5 419	19 483	42.88 1089	38.5 978	31.5 800

Notes:

- Specifications subject to change.
- Upon request, reels can be supplied with drum lengths other than shown.
- Weights shown in chart are for crank rewind models. ADD these amounts for power rewind models:

	Net (lbs.)	Ship (lbs.)	Net (kg.)	Ship (kg.)
Electric	18	18	8.2	8.2
Hydraulic	15	15	6.8	6.8
Air	15	15	6.8	6.8
- Dimension "F" is the overall length of standard model reels.
- When ordering power rewind models, prefix model number with:
 - A = Air Rewind E = Electric Rewind HD = Hydraulic Rewind
 (Air rewind reels are supplied with control valve and hose; 12v and 24v DC rewind reels are supplied with switch and solenoid; 115v AC rewind reels are not supplied with switch but can be ordered separately; hydraulic rewind reels are not supplied with control valve.)
- For a detailed parts breakdown drawing, request ISO 136.
- Finish:** refer to Page 4.
- 8. Be sure to check dimensions and weights prior to ordering.**

NOTICE: A Flexible Connector must be used between the inlet pipe and the inlet swivel joint.

* When shipped as a parcel package (via Fed-Ex or UPS Ground).
 *** x,y indicate mounting holes. See page 2

