

C1500

MANUAL OR POWER REWIND STORAGE REELS

To handle single 1/4" through 1" O.D.

- Reels are designed for storage of long lengths of hose, cable, rope, wire or other materials.
- A 1-1/8" x 2-3/8" (28 mm x 60 mm) opening in the drum to initiate winding.
- Direct crank rewind, permanently attached. Removable crank option is available. Also available chain and sprocket rewind powered by electric, compressed air, or hydraulic motor.
- Supplied with cam lock brake on manual rewind models only.
- Optional divider discs can be placed at almost any point. Be sure to specify spacing of discs on your order.
- Rollers may be purchased as accessory items.



Standard Configuration Shown

For Storage Of:

- Hose
- Cable
- Rope
- Wire

Model Number	Hose Capacity of Reel				Approx. Weight		Reel Dimensions***							
	O.D. (in) O.D. (mm)	1/4" 6	1/2" 13	3/4" 19	1" 25	NET	SHIP	A	B	E CRANK	E POWER	F CRANK	F POWER	X
C1514-17-18		1300 396	325 99	150 46	75 23	23 10	34* 15	11 279	6 152	16.5 419	19 483	16 406	15.75 400	9.5 241
C1520-17-18		—	650 198	300 91	150 46	25 11	50* 23	17 432	12 305	16.5 419	19 483	22 559	21.75 552	15.5 394
C1526-17-18		—	1000 305	450 137	225 69	27 12	50* 23	23 584	18 457	16.5 419	19 483	28 711	27.75 705	21.5 546
C1530-17-18		—	1200 366	550 168	275 84	29 13	50* 23	27 686	22 559	16.5 419	19 483	32 813	31.75 806	25.5 648

Notes:

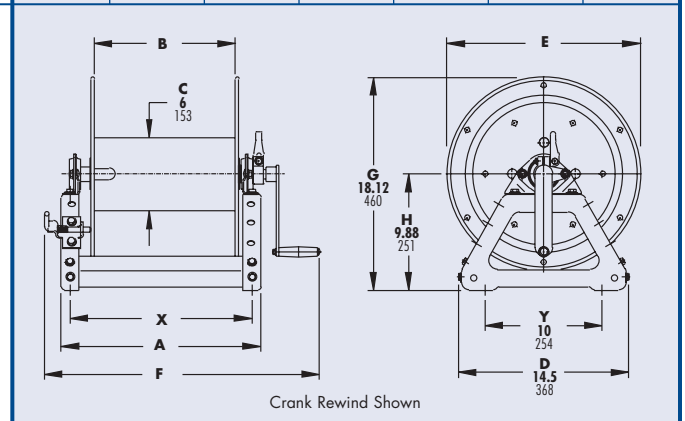
1. Specifications subject to change.
2. Upon request, reels can be supplied with drum lengths other than shown and with disc sizes in other dimensions.
3. Dimensions reflect pressed frames.
4. Weights shown in chart are for crank rewind models. ADD these amounts for power rewind models.

	Net (lbs.)	Ship (lbs.)	Net (kg.)	Ship (kg.)
Electric	18	18	8.2	8.2
Hydraulic	15	15	6.8	6.8
Air	15	15	6.8	6.8

5. For a receive a detailed parts breakdown drawing, request ISO 179.
6. When ordering power rewind models Prefix model number with:
A = Air Rewind E = Electric Rewind HD = Hydraulic Rewind
(Air rewind reels are supplied with control valve and hose; 12v and 24v DC rewind reels are supplied with switch and solenoid; 115v AC rewind reels are not supplied with switch but can be ordered separately; hydraulic rewind reels are not supplied with control valve.)
7. **Finish:** refer to Page 4.

8. Be sure to check dimensions and weights prior to ordering.

* When shipped as a parcel package (via Fed-Ex or UPS Ground).
*** x,y indicate mounting holes. See page 2



Crank Rewind Shown