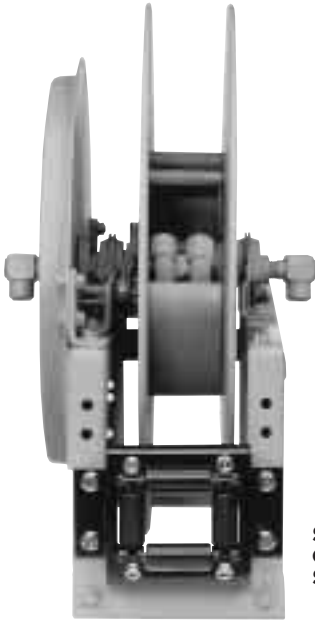


# 600



Standard Configuration Shown

## SPRING REWIND DUAL HOSE REELS

To handle dual 1/4" through 3/4" I.D. hose.

- Rollformed channel frame for heavy duty applications.
- Non sparking ratchet assembly.
- Declutching arbor to prevent damage from reverse winding.
- Standard inlets 90° balanced pressure swivel joints 1/2" female NPT threads. (1" inlet available).
- Standard outlets 1/2" female NPT threads. (3/4" outlet available).
- Pressures to 3000 psi (207 bar)
- Temperatures from -60° F to +250° F (-51°C to +121°C).
- Consult factory for other pressures & temps.
- 4-way roller assembly.
- Constant Tension is available – consult factory.
- Reels for use with oxygen/acetylene.  
See Series N400 Hannay Reels Welding Catalog H-9422-W.

For:

- Hydraulics
- Air/Water
- Paint Spraying

Model Number	Hose Capacity of Reel					Approx. Weight		Standard Roller Assy	Reel Dimensions***						
	feet		m.			NET	SHIP		C	E	F	G	X	Y	
	I.D. (in)	I.D. (mm)	1/4"	3/8"	1/2"										3/4"
	O.D. (in)	O.D. (mm)	5/8"	3/4"	7/8"	1-9/32"									
617-25-26-15.5B	2/75	2/23	2/75	2/23	2/50	2/15	93	128	R205	15.5	26.12	15.0	25.88	5.5	22
							42.2	58.1		394	663	381	657	140	559
617-25-26-15.5A	2/100	2/31	2/85	2/26	-	-	120	155	R205	15.5	26.12	15.75	25.88	5.5	22
							54.4	70.3		394	663	400	657	140	559
† 618-30-31-15.5A	-	-	-	-	2/100	2/50	130	165	R206	15.5	29.62	21.75	31.38	6.5	25.5
							59	74.8		394	752	552	797	165	648

**Notes:**

1. Specifications subject to change.
2. Reel models and capacities shown are for standard drag applications; for vertical lift applications consult factory.
3. Other sizes, from standard components, available on request.
4. For a detailed parts breakdown drawing, request ISO 8.
5. **Finish:** refer to Page 4.
6. **Be sure to check dimensions and weights prior to ordering.**

**NOTICE:** A Flexible Connector must be used between the inlet pipe and the inlet swivel joint.

\*\*\* x,y indicate mounting holes. See page 2  
NPT threads, standard outlets are 1/2" female NPT threads.  
† Must specify if 1" joints and 3/4" outlet risers are required.

