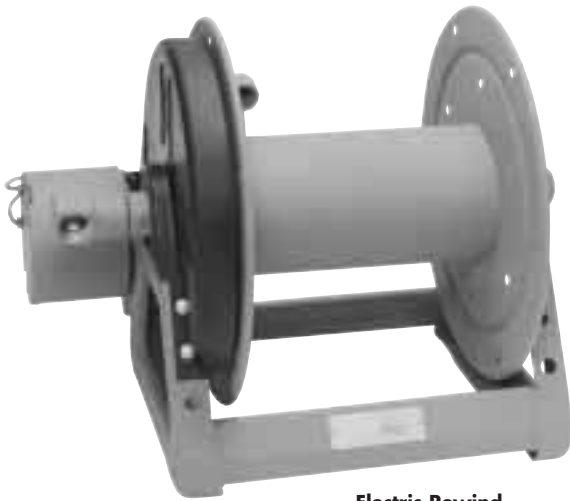


1800

MANUAL OR POWER REWIND REELS

To handle single 5/8" or 3/4" I.D. hose.

- Lightweight compact reels designed for long lengths of hose in manual and power rewind.
- Direct crank rewind is permanently attached.
- Chain and sprocket drive powered by electric, hydraulic, or compressed air motor.
- Direct crank rewind, adjustable spring tension brake, spring actuated pin lock.
- Standard inlet 90° ball bearing swivel joint 1" female NPT threads.
- Standard outlet 3/4" female NPT threads.
- Optional Rollers: Specify roller position when ordering.
- Pressures to 1000 psi (69 bar).
- Temperatures from -40° F to +250° F (-40° C to +121° C).
- Consult factory for other pressures & temps.



Electric Rewind
Standard Configuration
Shown

For:

- Air Compressors
- Washdown

| Model Number | Hose Capacity of Reel feet m. | | | Approx. Weight Crank Rewind ³ lb. kg. | | Reel Dimensions ^{***} inches mm. | | | | |
|--------------------------------|-------------------------------------|------------|---------------|---|-----------|---|-------------------------|----------------------------|---------------------------|------------------|
| | I.D. (in) I.D. (mm) | 5/8" 16 | 3/4" 19 | NET | SHIP | E CRANK 16.5 419 | E POWER 19 483 | F CRANK 21.75 552 | F POWER 18.5 470 | X 11.5 292 |
| For Power Rewind See Note 5 | O.D. (in) O.D. (mm) | 1" 33 | 1-9/32" 40 | | | | | | | |
| 1816-17-18 | | 75 23 | 50 15 | 28 13 | 50* 23 | 16.5 419 | 19 483 | 21.75 552 | 18.5 470 | 11.5 292 |
| 1822-17-18 | | 150 46 | 100 30 | 30 14 | 50* 23 | 16.5 419 | 19 483 | 27.75 705 | 24.5 622 | 17.5 445 |
| 1826-17-18 | | 225 69 | 150 46 | 32 15 | 50* 23 | 16.5 419 | 19 483 | 31.75 806 | 28.5 724 | 21.5 546 |
| 1830-17-18 | | 300 91 | 180 55 | 33 15 | 50* 23 | 16.5 419 | 19 483 | 35.75 908 | 32.5 826 | 25.5 648 |
| 1836-17-18 | | 375 114 | 230 70 | 36 16 | 50* 23 | 16.5 419 | 19 483 | 41.75 1060 | 38.5 978 | 31.5 800 |

Notes:

1. Specifications subject to change.
2. Upon request, reels can be supplied with drum lengths other than shown.
3. Weights shown in chart are for crank rewind models. ADD these amounts for power rewind models:

| | Net (lbs.) | Ship (lbs.) | Net (kg.) | Ship (kg.) |
|-----------|------------|-------------|-----------|------------|
| Electric | 18 | 18 | 8.2 | 8.2 |
| Hydraulic | 15 | 15 | 6.8 | 6.8 |
| Air | 15 | 15 | 6.8 | 6.8 |
4. Dimension "F" is the overall length of standard model reels.
5. When ordering power rewind models, prefix model number with:
 - A = Air Rewind E = Electric Rewind HD = Hydraulic Rewind
 (Air rewind reels are supplied with control valve and hose; 12v and 24v DC rewind reels are supplied with switch and solenoid; 115v AC rewind reels are not supplied with switch but can be ordered separately; hydraulic rewind reels are not supplied with control valve.)
6. For a detailed parts breakdown drawing, request ISO 136.
7. **Finish:** refer to Page 4.

8. Be sure to check dimensions and weights prior to ordering.

NOTICE: A Flexible Connector must be used between the inlet pipe and the inlet swivel joint.

* When shipped as a parcel package (via Fed-Ex or UPS Ground).

*** x,y indicate mounting holes. See page 2

