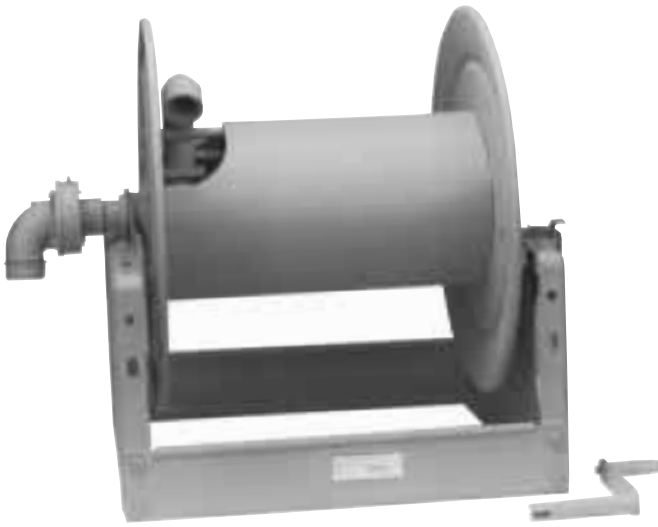


# 3500

## MANUAL REWIND REELS

To handle 1" through 1-3/4" I.D. hose.



Optional Crank Handle

For:

- Fuel Dispensing
- Fire Protection
- Bulk Transfer

- Economical manual rewind reels for long lengths of hose.
- Choose disc rewind or removable direct crank rewind.
- Supplied with spring-actuated pin lock.
- Standard inlet 90° swivel joint 1-1/2" female NPT threads and 2" victaulic groove.
- Standard outlet flanged riser with 1-1/2" female NPT threads.
- Optional bronze or aluminum swivel joint and stainless steel hub assembly and riser, are available
- Optional Rollers may be purchased.
- Pressures to 600 psi (41 bar)
- Temperatures from -40° F to +175° F (-40° C to +79° C).
- Consult factory for other pressures & temps.

Model Number	Hose Capacity of Reel feet m.				Approx. Weight Crank Rewind lb. kg.		Reel Dimensions*** inches mm.				
	Round Hose		Collapsible Hose		NET	SHIP	E	F	G	X	
	I.D. (in) I.D. (mm)	1" / 25	1-1/2" / 38	1-1/2" / 38							1-3/4" / 44
	O.D. (in) O.D. (mm)	1-9/16" / 40	2-1/16" / 52	3/4"x3" / 19 x 76	7/8"x3-1/4" / 22 x 83						
3516-25-26	50 / 15	-	-	50 / 15	50 / 15	95 / 43	130 / 59	25.5 / 648	26 / 660	27.88 / 708	7.75 / 197
3520-25-26	100 / 30	50 / 15	100 / 30	75 / 23	104 / 47	139 / 63	25.5 / 648	30 / 762	27.88 / 708	9 / 229	
3524-25-26	150 / 46	75 / 23	150 / 46	100 / 30	113 / 51	157 / 71	25.5 / 648	34 / 864	27.88 / 708	13 / 330	
3528-25-26	200 / 61	100 / 30	200 / 61	150 / 46	123 / 56	173 / 78	25.5 / 648	38.5 / 978	27.88 / 708	17.5 / 445	
3524-30-31	200 / 61	100 / 30	250 / 76	150 / 46	124 / 56	174 / 79	28.75 / 730	34 / 864	29.88 / 759	13 / 330	
3528-30-31	250 / 76	150 / 46	300 / 91	250 / 76	134 / 61	184 / 83	28.75 / 730	38.5 / 978	29.88 / 759	17.5 / 445	
3534-30-31	350 / 107	200 / 61	450 / 137	350 / 107	147 / 67	197 / 89	28.75 / 730	44.5 / 1130	29.88 / 759	23.5 / 597	
3530-33-34	400 / 122	250 / 76	450 / 137	350 / 107	138 / 63	188 / 85	31.75 / 806	40.5 / 1029	32.38 / 822	19.5 / 495	

**Notes:**

- Specifications subject to change.
- Upon request, reels can be supplied with drum lengths other than shown and with disc sizes in other diameters.
- Power rewind NOT available on these models.**
- Dimension "F" is the overall length of standard model reels. Crank rewind models, 3-1/2" clearance required to remove crank.
- Subtract 5" from 'F' dimension for disc rewind models.
- For a detailed parts breakdown drawing, request ISO 111.
- Finish:** Call factory for offshore/marine finish, available at extra cost. Refer to Page 4.
- Be sure to check dimensions and weights prior to ordering.**

**NOTICE:** A Flexible Connector must be used between the inlet pipe and the inlet swivel joint.

\*\*\* x,y indicate mounting holes. See page 2

