

# G4100

## MANUAL OR POWER REWIND REELS

To handle single 3/4" or 1" I.D. hose.



Electric Rewind Shown with Standard Gear Driven Crank Rewind

**For:**

- Fuel Dispensing
- Fire Protection
- Water Supply
- Chemical Transfer

- Lightweight compact reels designed for long lengths of hose in manual and power rewind.
- Gear driven crank rewind handle is removable.
- Chain and sprocket drive powered by electric, hydraulic, or compressed air motor.
- Gear driven crank rewind, adjustable pinion brake, spring actuated pin lock.
- Standard inlet 90° ball bearing swivel joint 1" female NPT threads.
- Standard outlet 1" female NPT threads.
- Optional Rollers: Specify roller position when ordering.
- Pressures to 1000 psi (69 bar).
- Temperatures from -60° F to +250° F (-51° C to +121° C).
- Consult factory for other pressures & temps.

Model Number	Hose Capacity of Reel			Approx. Weight Crank Rewind <sup>3</sup>		Reel Dimensions***				
	I.D. (in) I.D. (mm)	3/4" 19	1" 25	NET	SHIP	E CRANK	E POWER	F CRANK	F POWER	X
For Power Rewind See Note 5	O.D. (in) O.D. (mm)	1-9/32" 33	1-9/16" 40							
G4118-17-18		50 15	35 11	62 28	97 44	18 457	20.5 521	25.88 657	20.5 521	7.5 190
G4124-17-18		100 30	50 15	72 33	107 49	18 457	20.5 521	31.88 810	26.5 673	13.5 343
G4130-17-18		150 46	75 23	83 38	118 54	18 457	20.5 521	37.88 962	32.5 826	19.5 495
G4138-17-18		200 61	100 30	96 44	131 59	18 457	20.5 521	45.88 1165	40.5 1029	25.5 648

**Notes:**

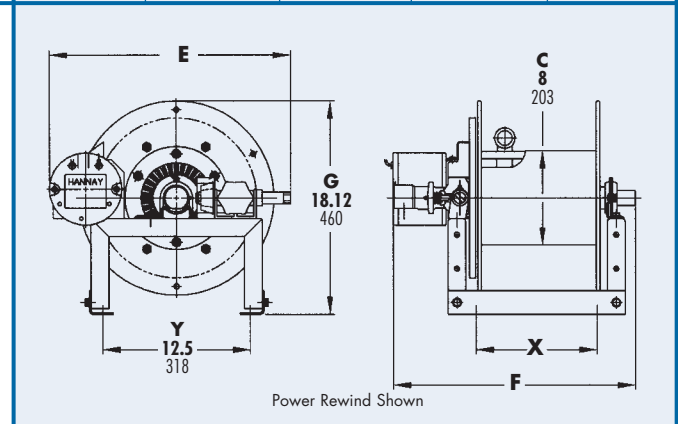
1. Specifications subject to change.
2. Upon request, reels can be supplied with drum lengths other than shown.
3. Weights shown in chart are for crank rewind models. ADD these amounts for power rewind models:
 

	Net (lbs.)	Ship (lbs.)	Net (kg.)	Ship (kg.)
Electric	18	18	8.2	8.2
Hydraulic	15	15	6.8	6.8
Air	15	15	6.8	6.8
4. Dimension "F" is the overall length of standard model reels.
5. When ordering power rewind models, prefix model number with:  
 A = Air Rewind    E = Electric Rewind    HD = Hydraulic Rewind  
 (Air rewind reels are supplied with control valve and hose; 12v and 24v DC rewind reels are supplied with switch and solenoid; 115v AC rewind reels are not supplied with switch but can be ordered separately; hydraulic rewind reels are not supplied with control valve.)
6. For a detailed parts breakdown drawing, request ISO 206.
7. **Finish:** refer to Page 4.

**8. Be sure to check dimensions and weights prior to ordering.**

**NOTICE:** A Flexible Connector must be used between the inlet pipe and the inlet swivel joint.

\*\*\* x,y indicate mounting holes. See page 2



Power Rewind Shown