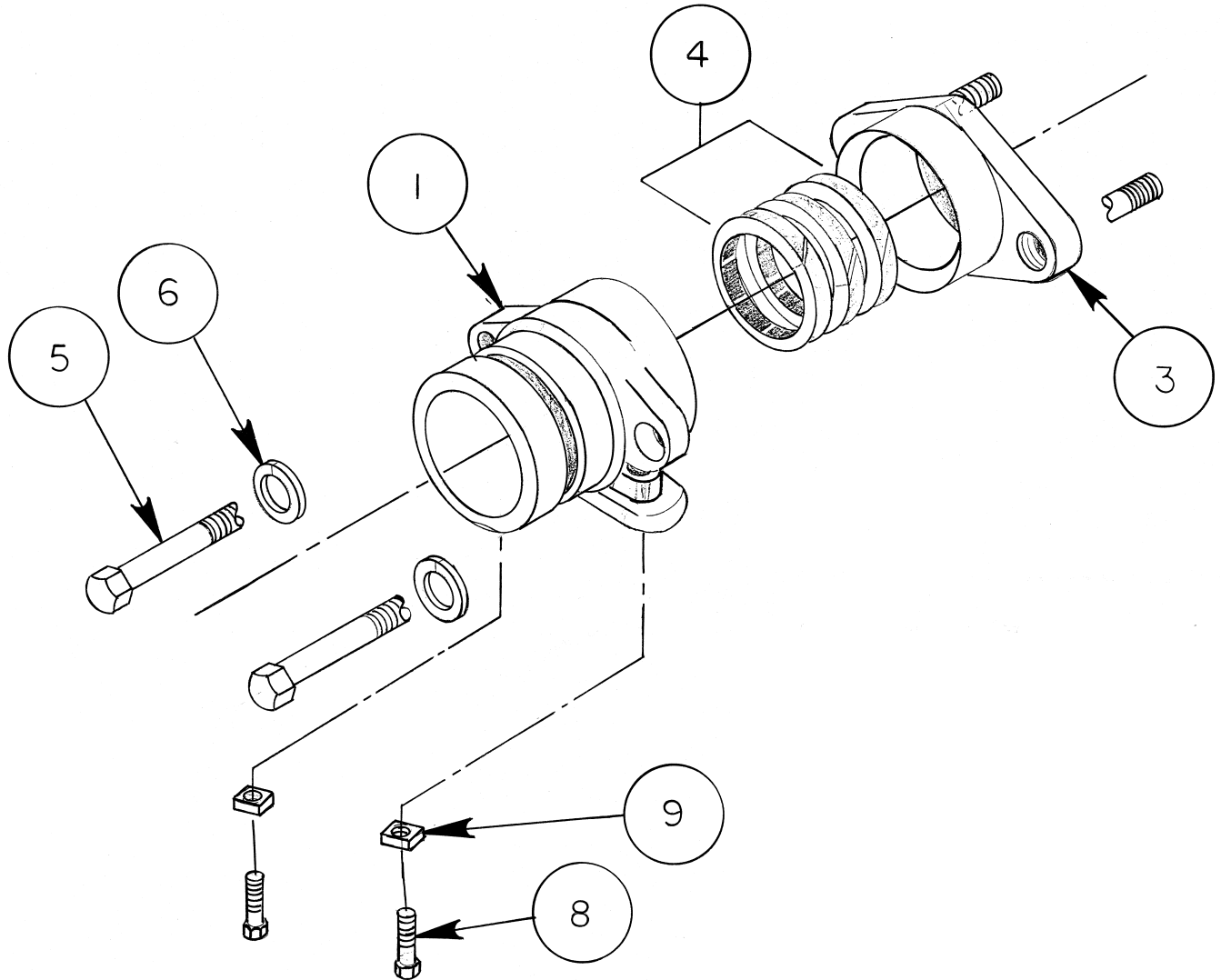




**Hannay Reels®**  
*The reel leader.*

ETS Co, Inc., 20 E. Winona Ave. Norwood, PA 19074  
Telephone 610-583-7657; Toll Free 1-877-824-7763  
FAX 610-583-5479  
Website: <http://www.etshosereels.com>  
E-mail: [info@etshosereels.com](mailto:info@etshosereels.com)

**ISO 70**  
PARTS LIST  
**HANNAY H-5**  
**Packing Joint**



**PARTS LIST  
ISO 70  
HANNAY H-5  
Packing Joint**

When ordering parts  
**BE SURE TO SPECIFY COMPLETE MODEL NUMBER and SERIAL NUMBER OF REEL.  
 USE PART NUMBER!**

<u>Item No.</u>	<u>Description</u>	<b><u>PART NUMBER</u></b>	<u>Quantity</u>
1	H-5A Packing Gland for 1 1/2" Hub, Victaulic .....	9938.0056	1
1B	H-53A Packing Gland for 3" Hub, Victaulic .....	9938.0060	1
3	H-5B Follower for H-5A .....	9938.0061	1
3B	H-53B Follower for H-53A .....	9938.0063	1
4	H-5C Packing Seal for H-5A (Ring Type) .....	9936.0659	1 Set
4A	H-52C Packing Seal for H-52A (Ring Type) .....	9936.0759	1 Set
4B	H-53C Packing Seal for H-53A (Ring Type) .....	9936.0959	1Set
5	3/8"-16 x 2 1/2" Hex Head Cap Screw .....	9904.1207	2
6	3/8" Lockwasher .....	9954.0028	2
8	3/8"-16 x 2" Hex Head Bolt .....	9904.1206	2
9	3/8"-16 Square Nut, Drilled 7/16" I.D. ....	9958.0035	2