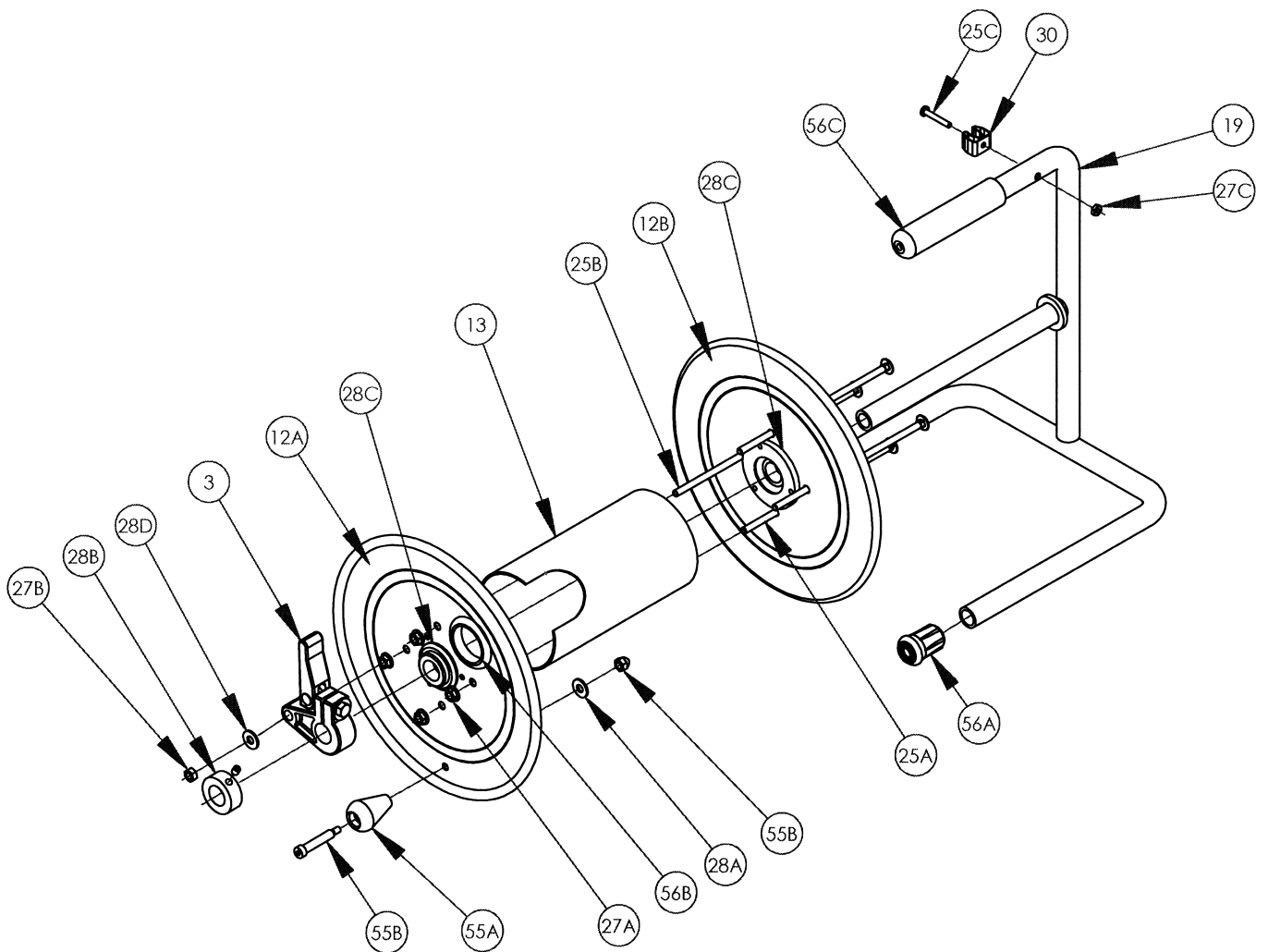




ETS Co, Inc., 20 E. Winona Ave. Norwood, PA 19074
Telephone 610-583-7657; Toll Free 1-877-824-7763
FAX 610-583-5479
Website: <http://www.etshosereels.com>
E-mail: info@etshosereels.com

ISO 88
PARTS LIST
MODEL C 16-10-11
Portable Cable Reel



**PARTS LIST
ISO 88
MODEL C 16-10-11**

When ordering parts

BE SURE TO SPECIFY COMPLETE MODEL NUMBER and SERIAL NUMBER OF REEL.

USE PART NUMBER!

<u>Drawing No.</u>	<u>Description</u>	<u>PART NUMBER</u>	<u>Quantity</u>
3	Cam Lever Drag Brake Kit (including hardware).....	9947.0130	1
12A	Front Disc, 10" Diameter	9903.0111	1
12B	Back Disc, 10" Diameter.....	9903.0111	1
13	Drum, 4" Diameter.....	9905.7105	1
19	Iron Pipe Tubular Frame	9906.0700	1
25A	1/4"-20 x 8" Lg Carriage Bolt.....	9949.0050	3
25B	1/4"-20 x 10" Lg Carriage Bolt.....	9949.0051	1
25C	#10-32 x 1-1/4" Lg Slotted Round Head Machine Screw	9904.8205	1
27A	1/4"-20 Spinlock Nut.....	9904.6000	4
27B	1/4"-20 ESNA Lock Nut.....	9958.0015	1
27C	#10-32 Hex Nut	9904.4900	1
28A	1/4" Flat Washer	9954.0005	1
28B	Locking Collar w/ Set Screw	9955.0005	1
28C	Disc Washer w/ Bronze Insert.....	9965.0039	2
28D	5/16" Flat Washer	9954.0006	1
30	1/2" Retaining Clip.....	9965.0054	1
55A	Rewind Knob	9914.0565	1
55B	5/16" Shoulder Bolt w/ Nut	9914.0531	1
56A	Rubber Crutch Tip	9965.0058	1
56B	Rubber Grommet, 1-3/4" Diameter.....	9955.0030	1
56C	Rubber Hand Grip	9965.0057	1