

N700

SPRING REWIND REELS

To handle 1/4" through 1/2" I.D. hose.

- Standard N Series has a narrow frame and compact mounting base.
- Non sparking ratchet assembly.
- Declutching arbor to prevent damage from reverse winding.
- Standard inlet 90° balanced pressure swivel joint 1/2" female NPT threads.
- Standard outlet 1/2" female NPT threads.
- Standard Pressures to 3000 psi (207 bar) (available up to 10,000).
- Temperatures from -60° F to +250° F (-51° C to +121° C).
- Consult factory for other pressures & temps.
- 4-way roller assembly.
- Constant Tension is available – consult factory.



Shown with
Optional TR
Roller Position

For:

- Lubrication
- Air/Water
- Assembly Operations
- Washdown
- Air Tools
- General Industrial Applications

Model Number	Hose Capacity of Reel				Approx. Weight		Standard Roller Assy	Reel Dimensions***				
	feet				NET	Frt. SHIP Wt.		C	E	F	G	X
	I.D. (in) I.D. (mm)	1/4" 6	3/8" 10	1/2" 13								
	O.D. (in) O.D. (mm)	5/8" 16	3/4" 19	7/8" 22								
N716-14-16-8C	–	25	25	52*	70	N204	8	17.62	11.25	16.25	8	
	–	8	8	24	39		203	448	286	413	203	
N716-16-17C	–	35	35	55*	71	N204	10.5	18.5	11.25	17	8	
	–	11	11	25	32		267	470	286	432	203	
N716-19-20J	–	50	50	64*	85	N204	10.5	20.75	11.25	20	8	
	–	15	15	29	38		267	527	286	508	203	
N716-23-24-15.5G	100	75	65	94*	129	N204	15.5	23.75	11.25	24	8	
	30	23	20	43	59		394	603	286	610	203	
N716-23-24-15.5J	–	65	65	79*	96	N204	15.5	23.75	11.25	24	8	
	–	20	20	36	44		394	603	286	610	203	
N716-25-26-15.5B	–	75	75	90	125	N204	15.5	25.25	11.25	26	8	
	–	23	23	41	57		394	641	286	660	203	
N718-25-26-15.5G	–	100	100	96	131	N206	15.5	25.25	13.25	26	10	
	–	30	30	44	59		394	641	337	660	254	

Notes:

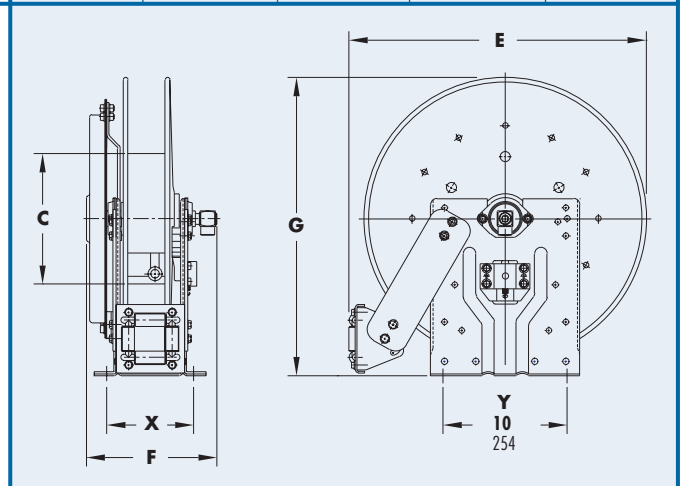
1. Specifications subject to change.
2. Reel models and capacities shown are for standard drag applications; for vertical lift applications consult factory.
3. Other sizes, from standard components, available on request.
4. For a detailed parts breakdown drawing, request ISO 79.
5. **Finish:** refer to Page 4.

6. Be sure to check dimensions and weights prior to ordering.

NOTICE: A Flexible Connector must be used between the inlet pipe and the inlet swivel joint.

* When shipped as a parcel package (via Fed-Ex or UPS Ground).
Net wt. plus carton wt.

*** x,y indicate mounting holes. See page 2



Available Roller Positions